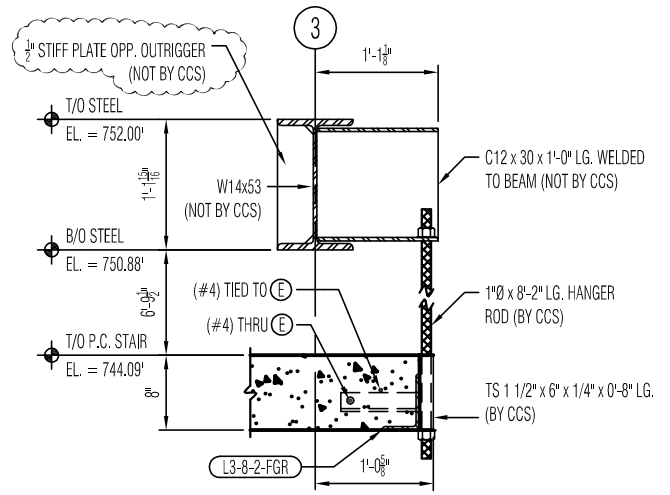
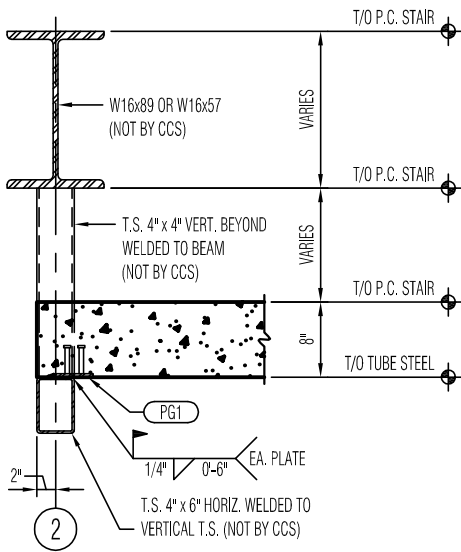


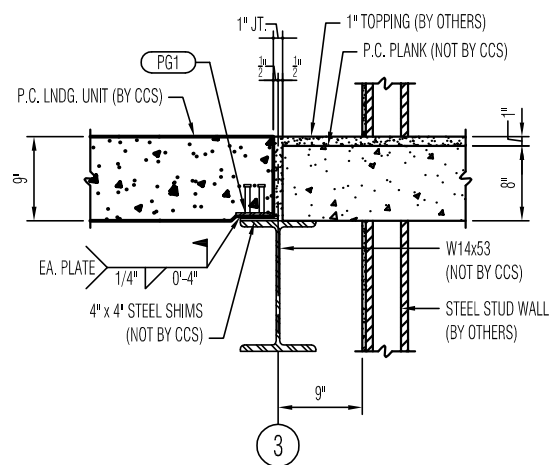
**E** BRG. DETAIL @ HANGER ROD  
1" = 1'-0"



**F** BRG. DETAIL @ HANGER ROD  
1" = 1'-0"



**G** TYP BRG. DETAIL @ COL. 2  
1" = 1'-0"



**H** TYP BRG. DETAIL @ COL. 3  
1" = 1'-0"