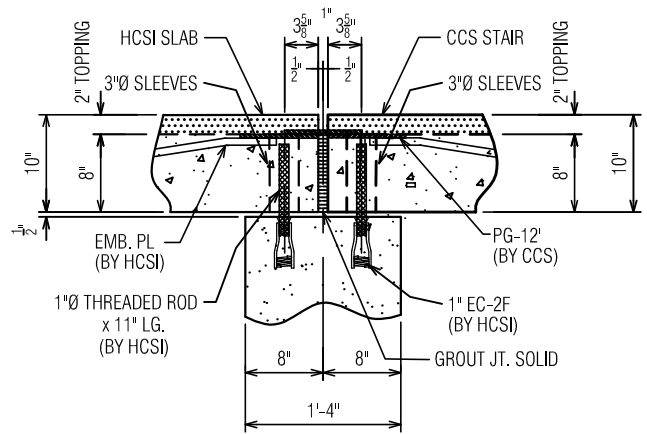
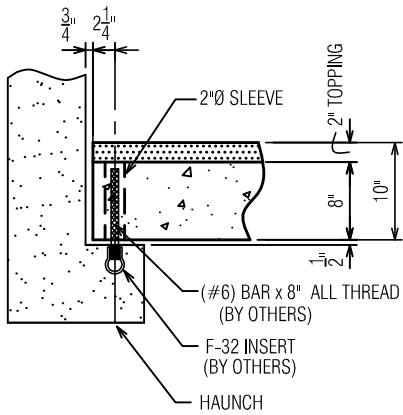


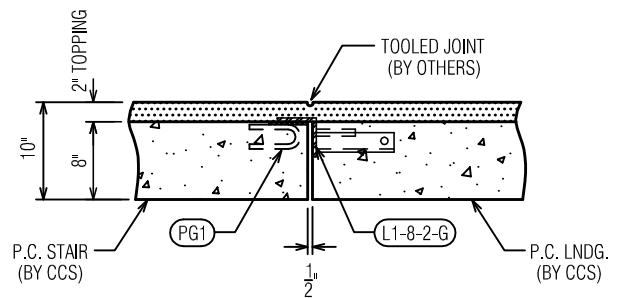
3 CONNECTION @ TREE BEAM  
 (@ STAIR "A") 1" = 1'-0"



4 CONNECTION @ FLOOR  
 (@ STAIR "A") 1" = 1'-0"



5 CONNECTION @ HAUNCH  
 (@ STAIR "B") 1" = 1'-0"



6 CONNECTION @ TOP STAIR/LNDG.  
 (@ STAIR "B") 1" = 1'-0"